

PRODUCT SPECIFICATIONS

Holder for 10 backgrounds

225

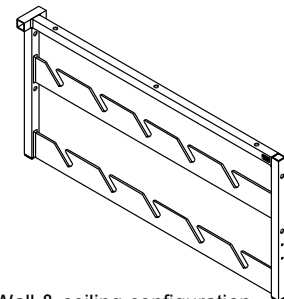
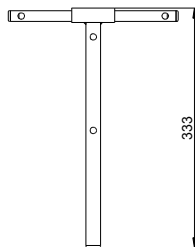
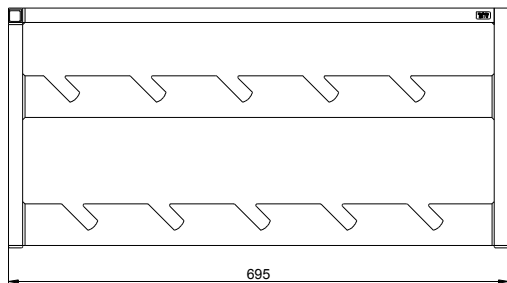
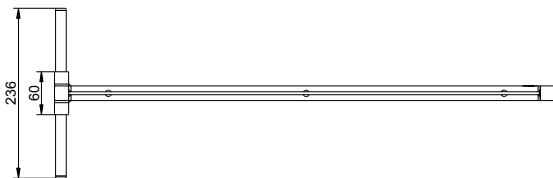
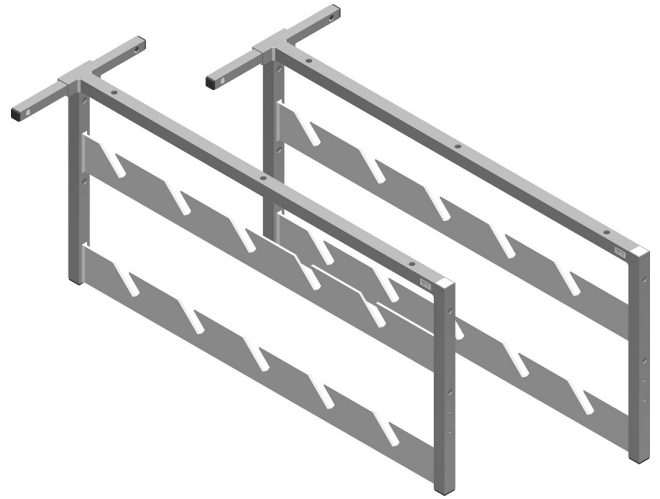
Holder for 10 background is a component of Ventis Motorised Background Support System. It is used for background and motorised drives support.

Features

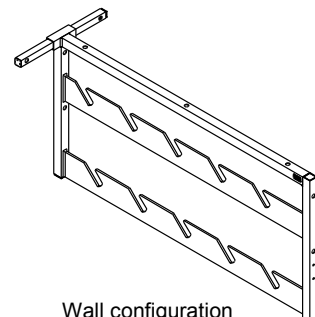
- Supports up to 10 backgrounds
- Max. load 180 kg
- Additional support included for wall attachment
- Sturdy design
- Matt-black finish
- Control box mount option

Basic Specifications

Dimensions max. (LxWxH)70x24x33cm (27,6x9,4x13")
Net weight (pair)7,6 kg (7,2 lbm)
Packaged dim. (LxWxH).....73x38x7cm (28,7x15x2,8")
Gross weight8,2 kg (16,8 lbm)
Max. load (per holder pair).....180 kg (400 lbm)



Wall & ceiling configuration



Wall configuration

Related Background Lift System products:

220S 220S-110V – BLS 2.0 Control Box Pro
203S – Motorised drive
227 – Holder for 4 backgrounds
226 – Holder for 6 backgrounds
230US – US power supply cable
230EU – EU power supply cable